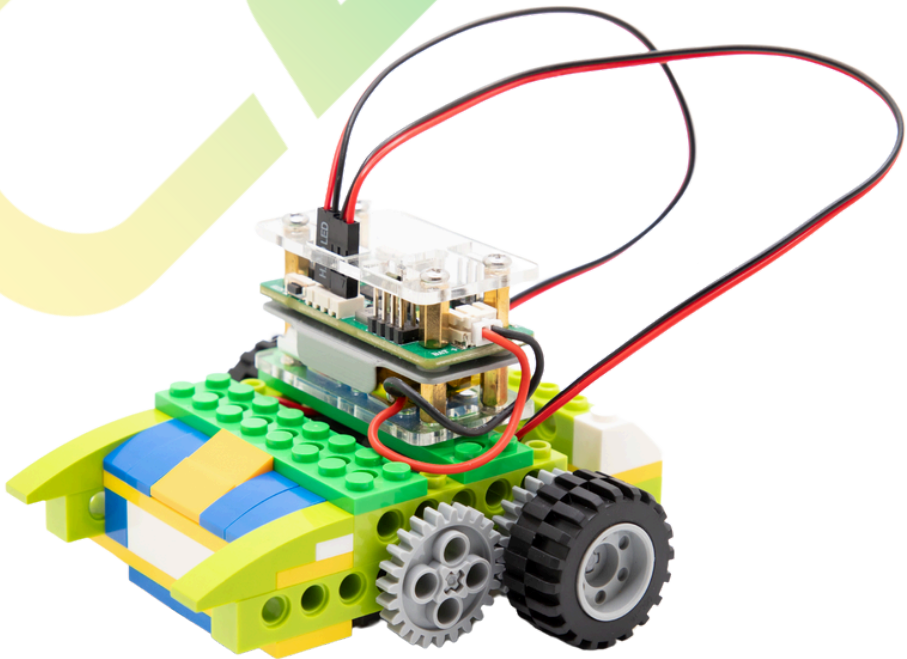
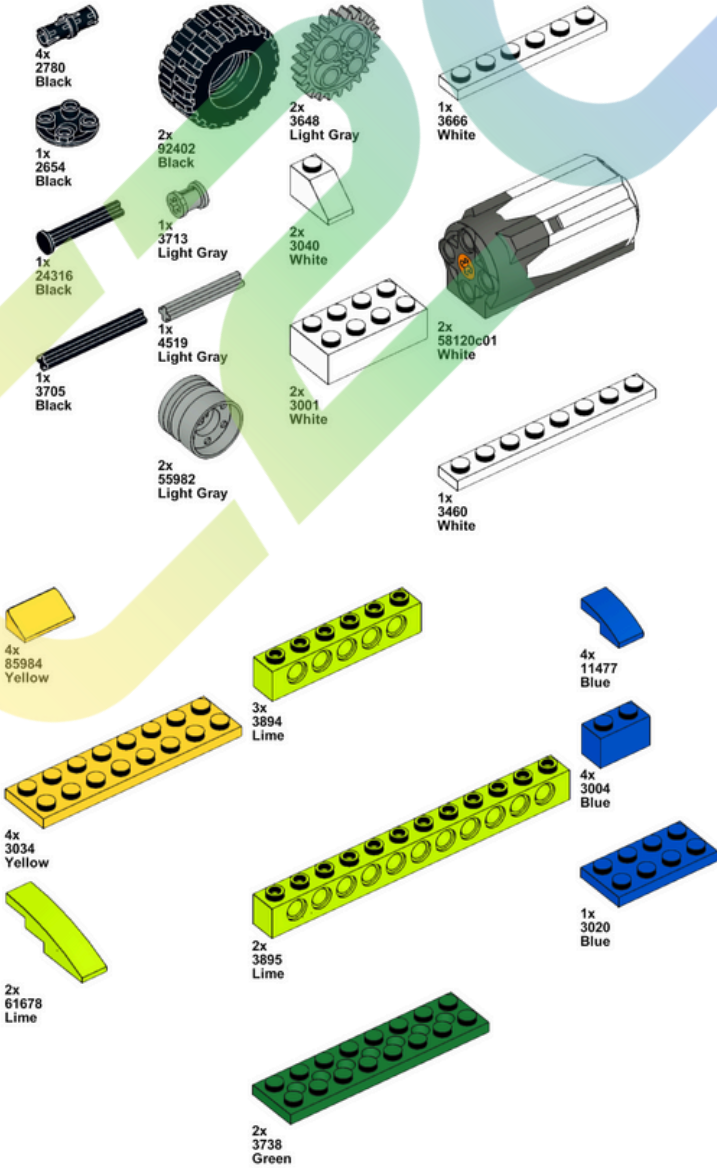


Student Instruction Manual

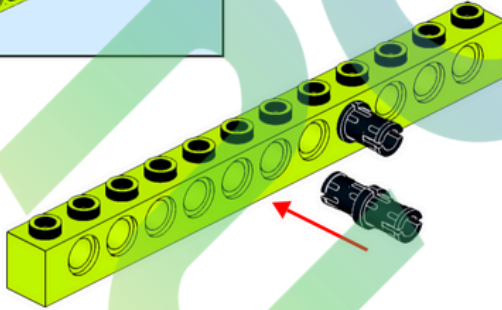
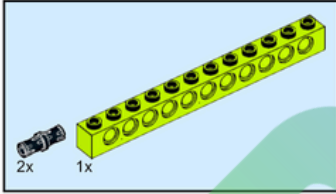
Green Car



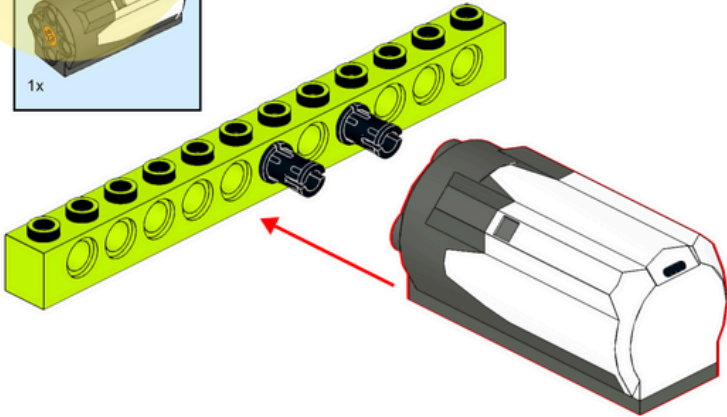
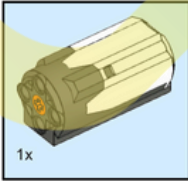
Check for all Green Car parts:



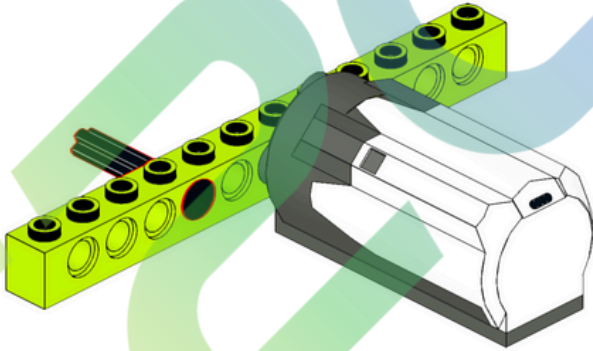
1



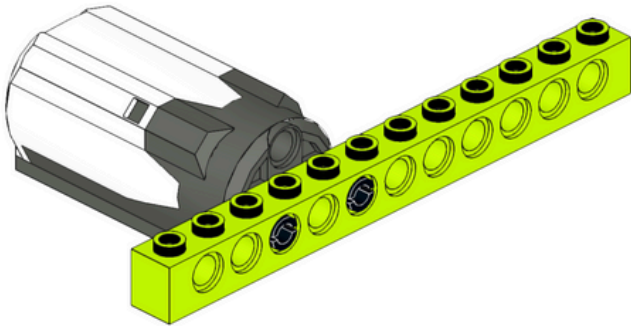
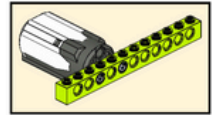
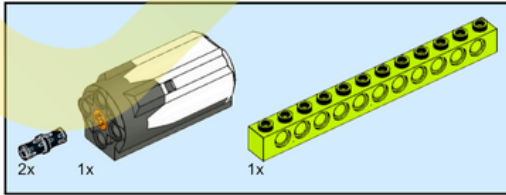
2



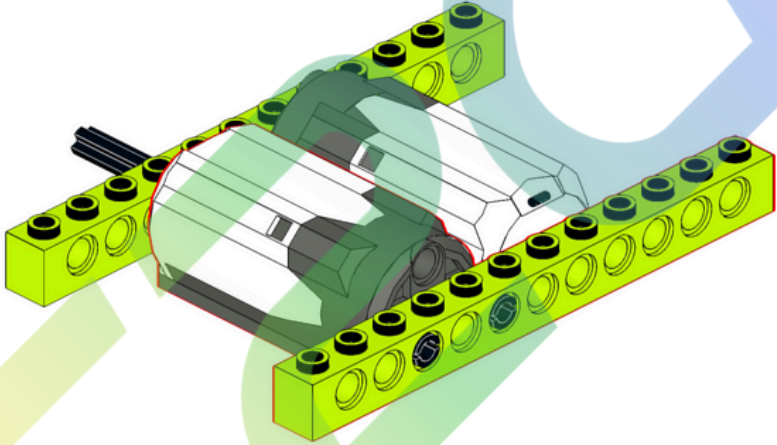
3



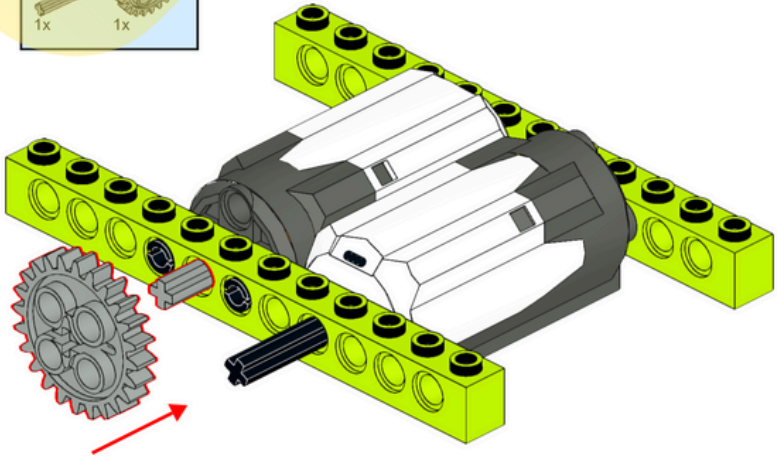
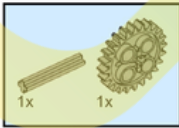
4



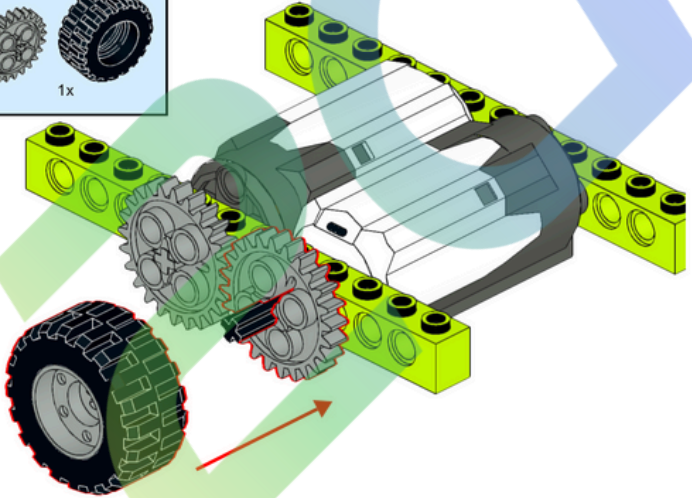
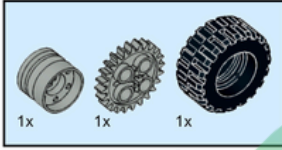
5



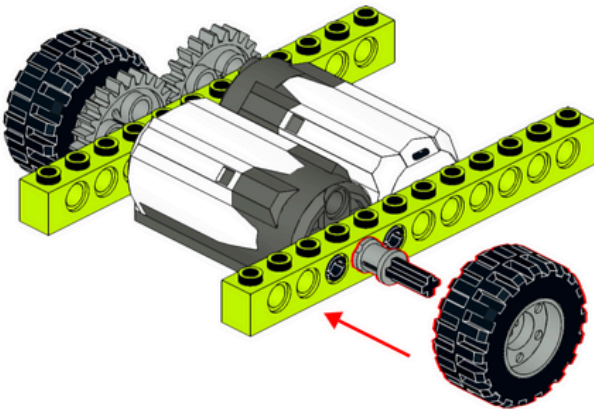
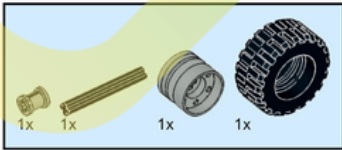
6



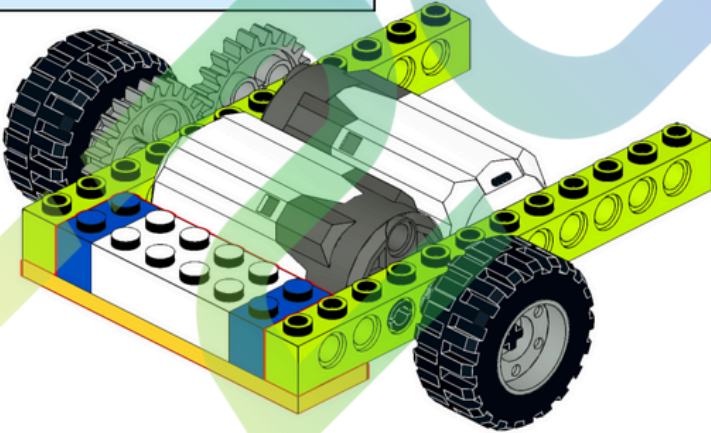
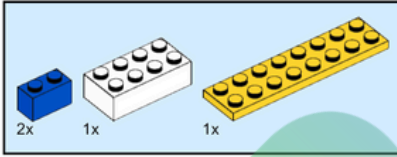
7



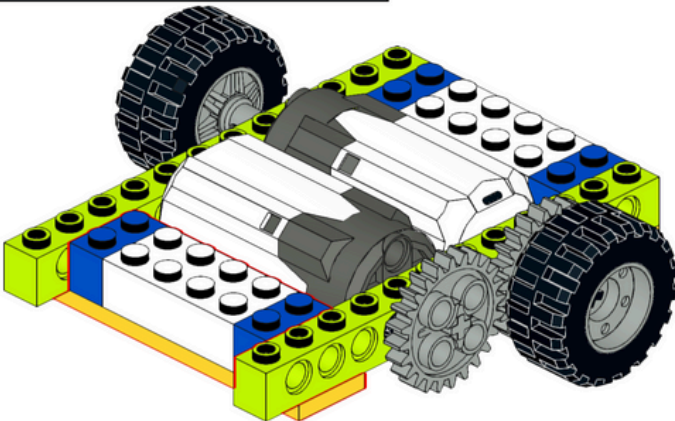
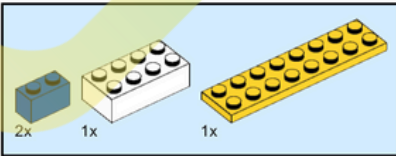
8



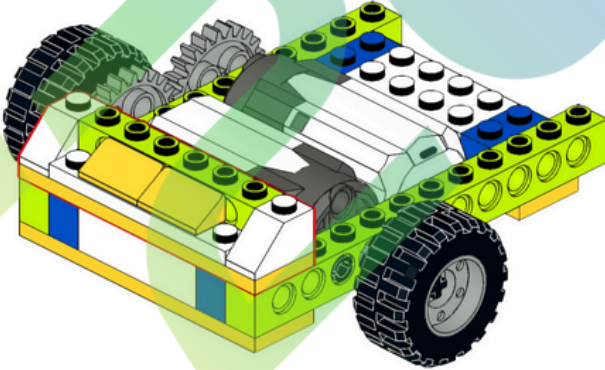
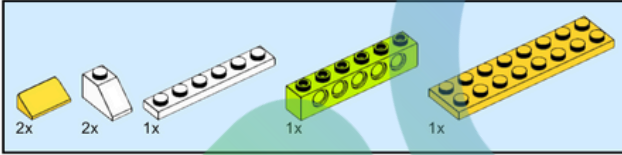
9



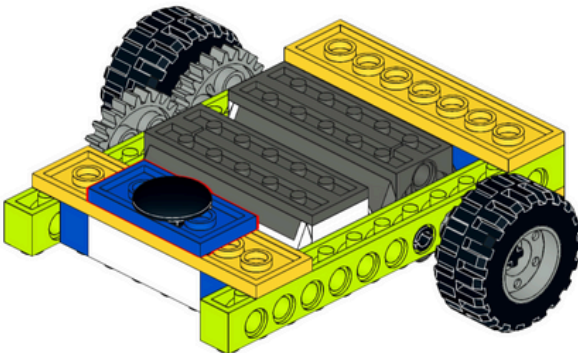
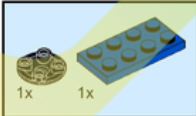
10



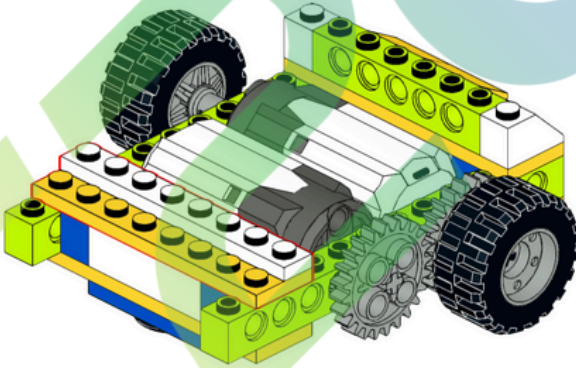
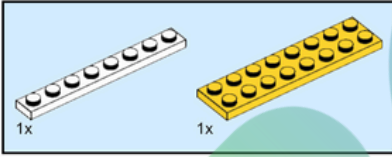
11



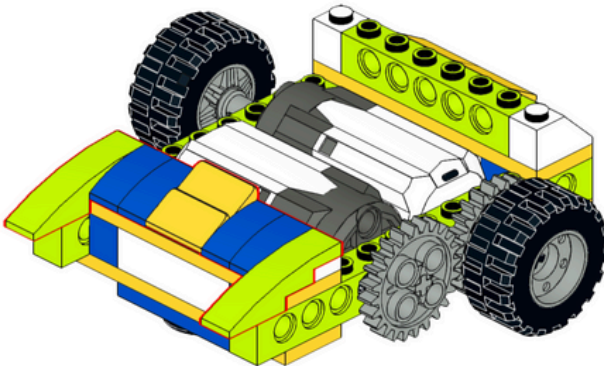
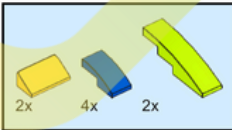
12



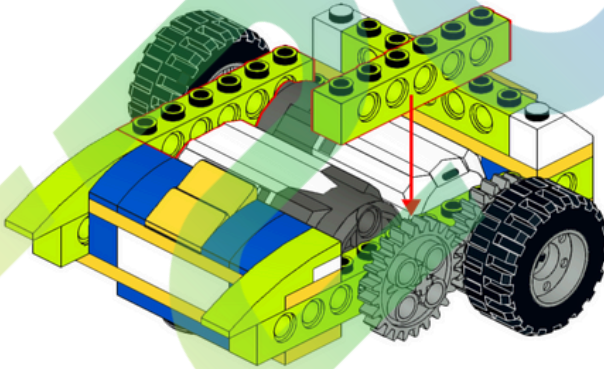
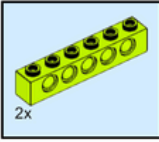
13



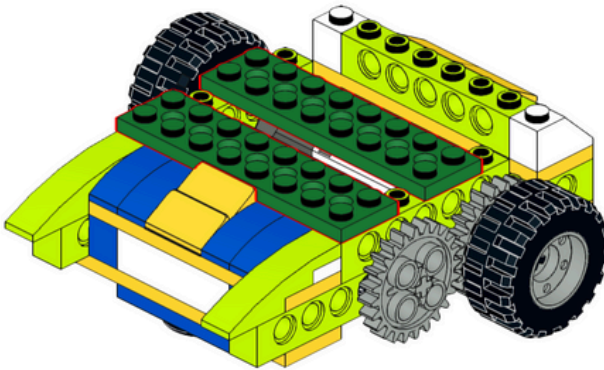
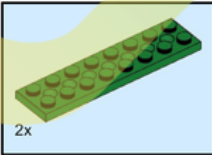
14

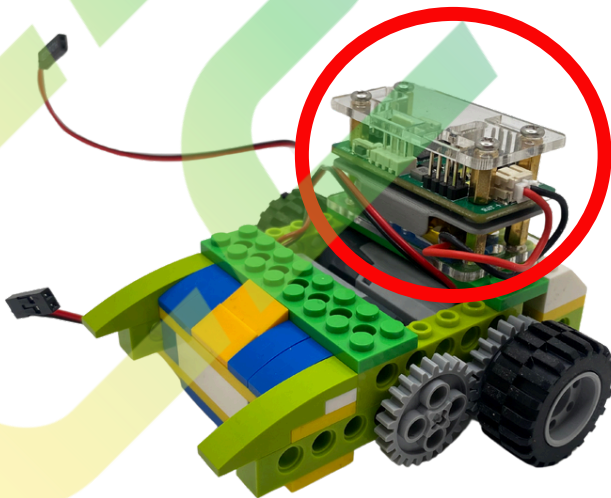


15



16

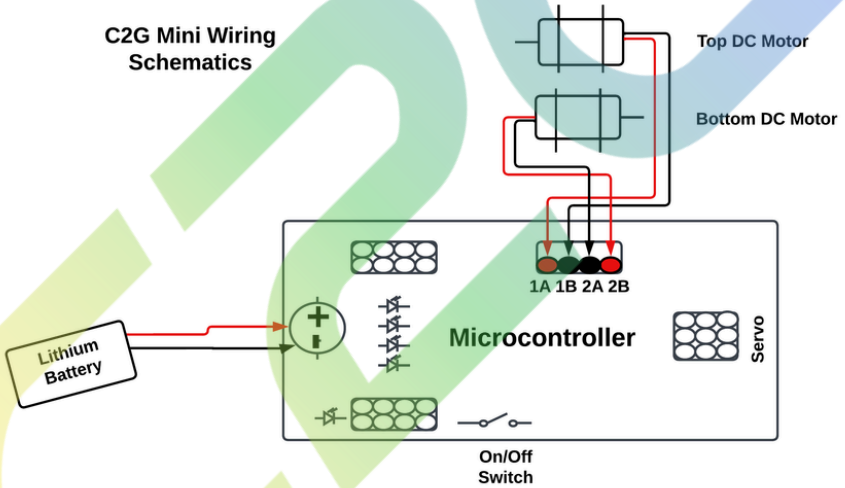




Attach the C2G Mini Microcontroller

How to wire the robot?

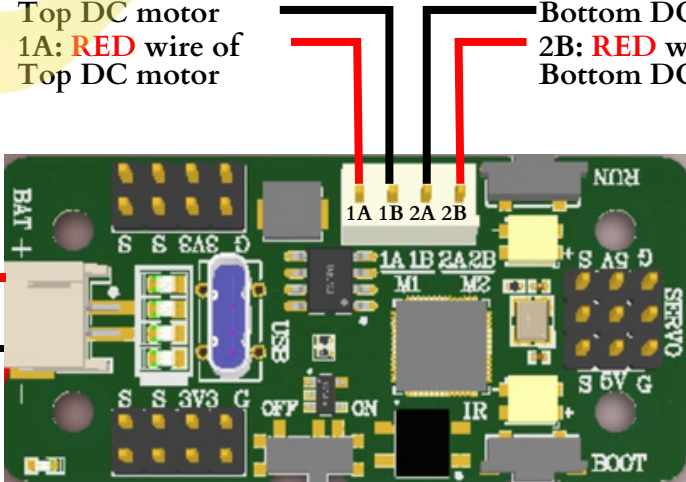
C2G Mini Wiring Schematics



1B: BLACK wire of Top DC motor
 1A: RED wire of Top DC motor

2A: BLACK wire of Bottom DC motor
 2B: RED wire of Bottom DC motor

Lithium Battery Wiring



Congratulations on
completing the
Green Car build!

