

Student Instruction Manual

# Little Train



## Check for all Little Train parts:

1x  
4073  
Black



1x  
32269  
Black



1x  
32270  
Black



4x  
2815  
Black



3x  
44728  
Black



2x  
32016  
Black



6x  
4185  
Dark Gray

2x  
32002  
Light Gray



2x  
64799  
Light Gray

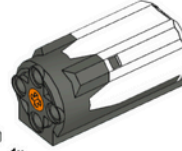


3x  
3706  
Light Gray

2x  
98138pb007  
White



1x  
18674  
White



1x  
58120c01  
White



1x  
32062  
Red



3x  
43093  
Tan



1x  
32198  
Tan



2x  
4265c  
Bright Light Yellow



1x  
85984  
Bright Light Yellow



2x  
3040a  
Bright Light Yellow



2x  
3660  
Bright Light Yellow



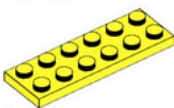
2x  
3941  
Bright Light Yellow



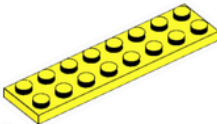
2x  
3039  
Bright Light Yellow



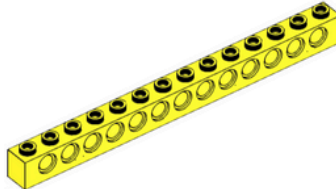
1x  
3710  
Bright Light Yellow



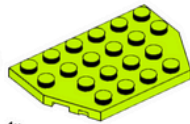
3x  
3795  
Bright Light Yellow



1x  
3034  
Bright Light Yellow



2x  
32018  
Bright Light Yellow



1x  
32059  
Lime



1x  
60474  
Medium Azure



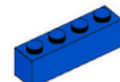
5x  
3023  
Blue



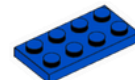
1x  
3700  
Blue



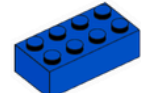
2x  
50950  
Blue



4x  
3010  
Blue

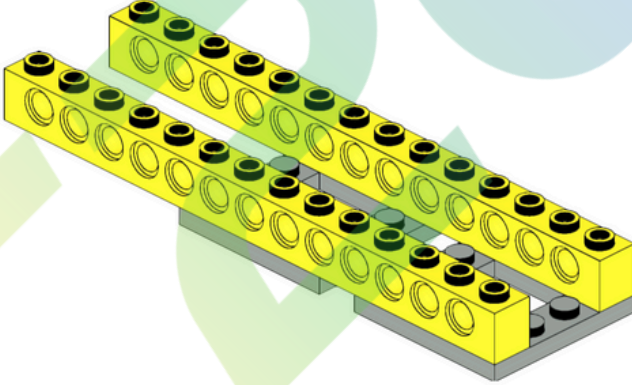
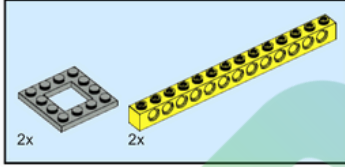


1x  
3020  
Blue

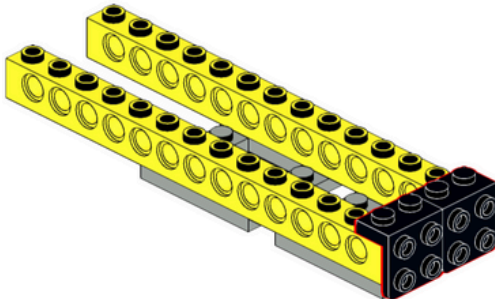


1x  
3001  
Blue

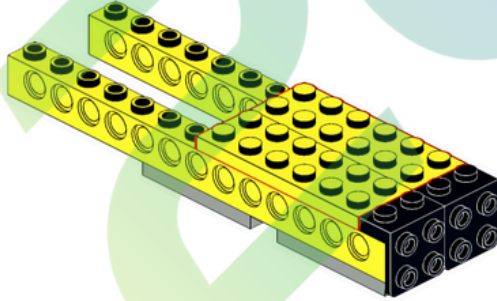
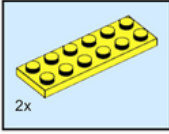
1



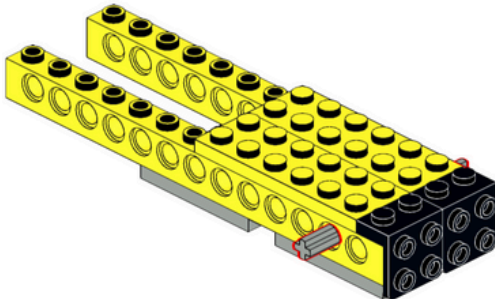
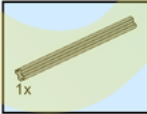
2



3



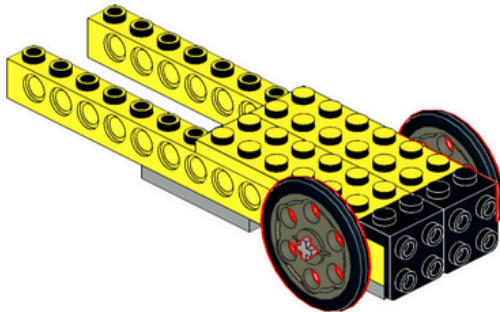
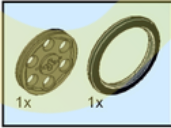
4



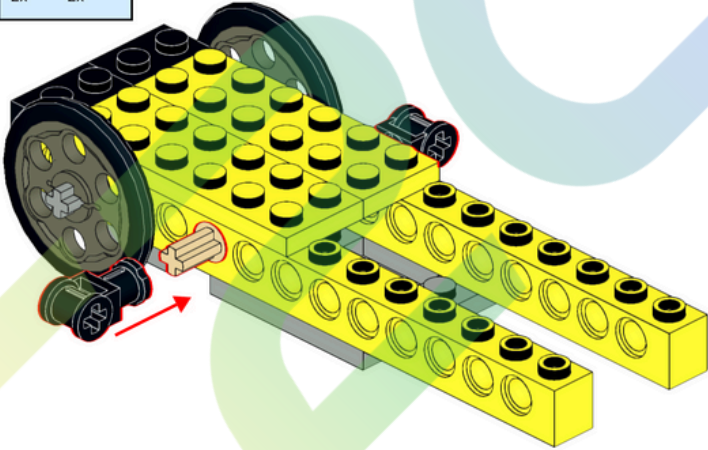
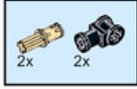
5



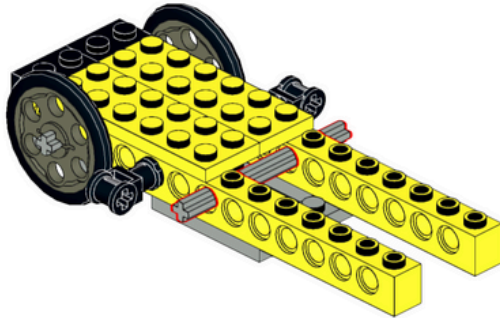
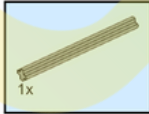
6



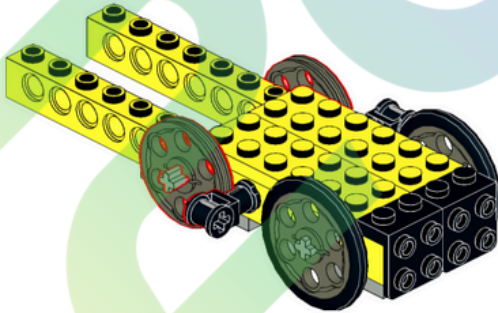
7



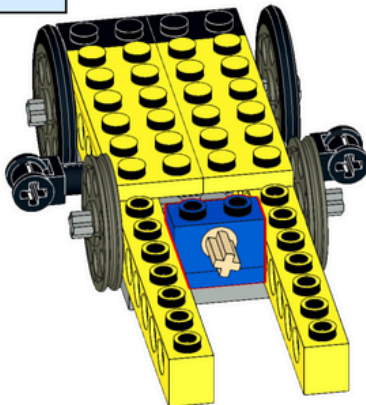
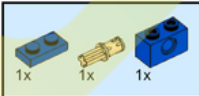
8



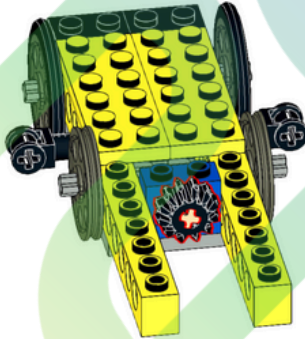
9



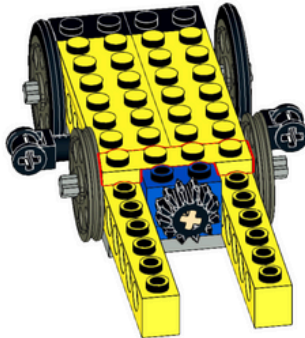
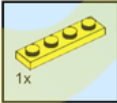
10



11

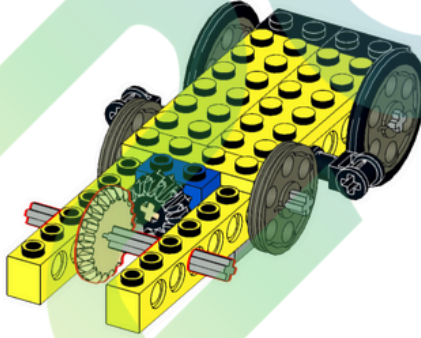
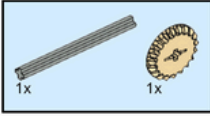


12

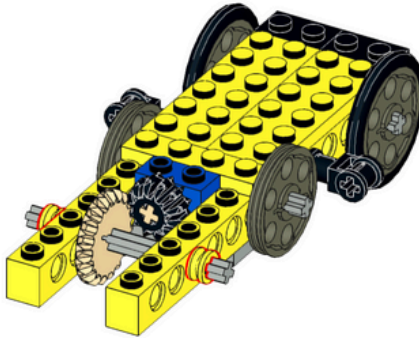




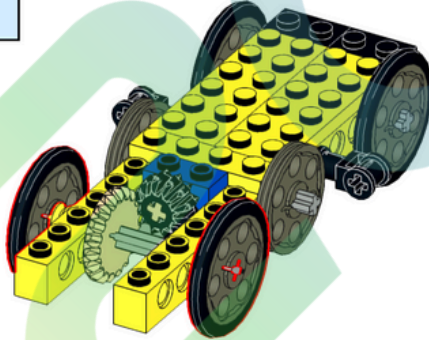
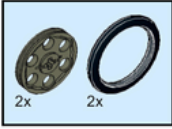
13



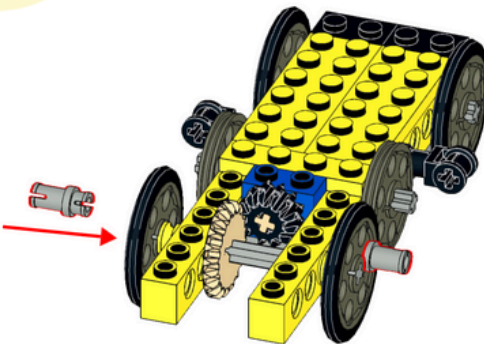
14



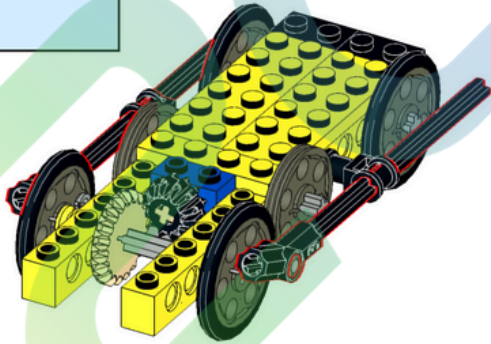
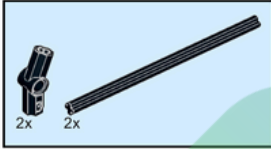
15



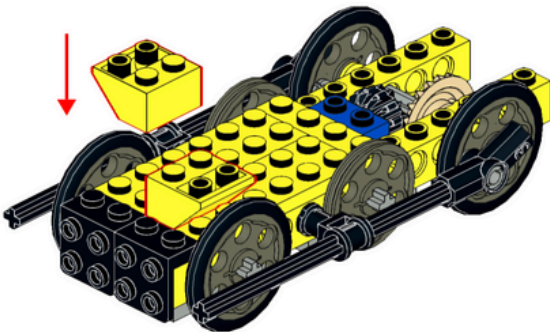
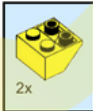
16



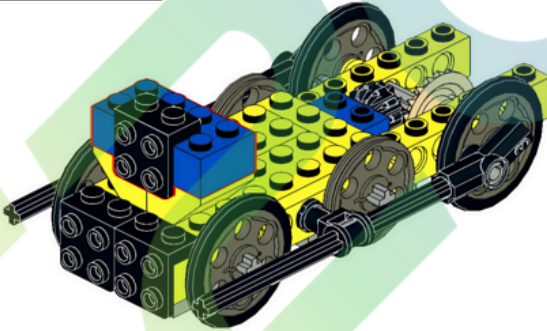
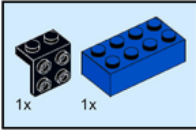
17



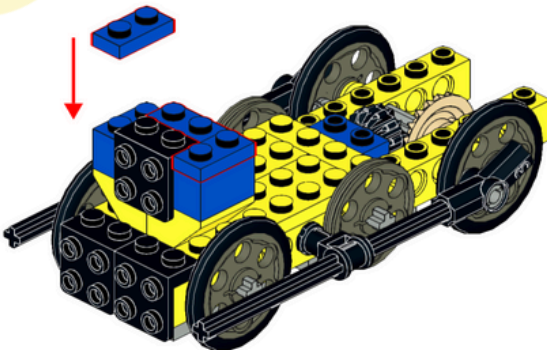
18



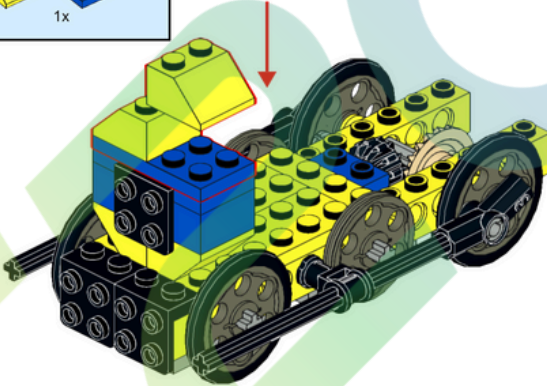
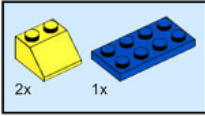
19



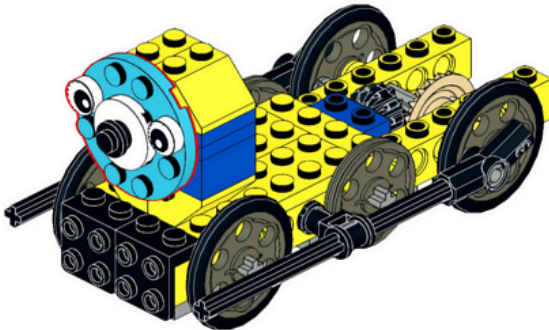
20



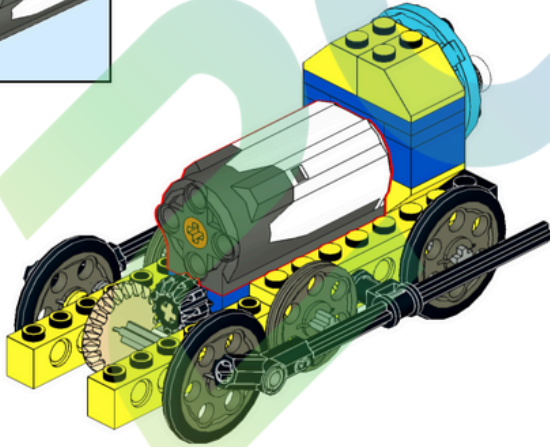
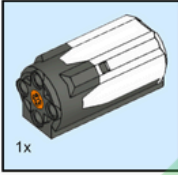
## 21



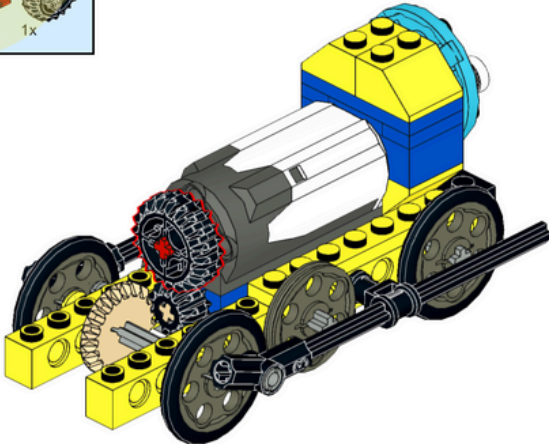
## 22



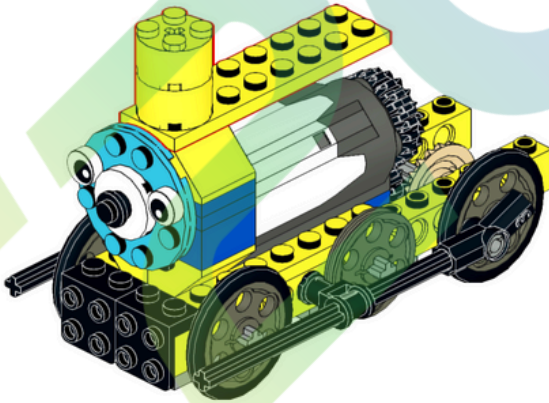
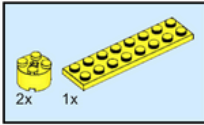
23



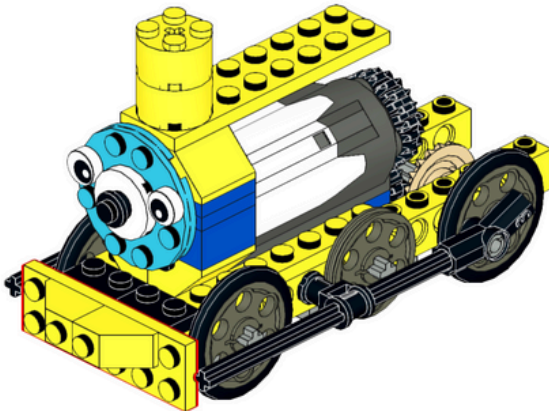
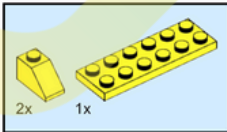
24



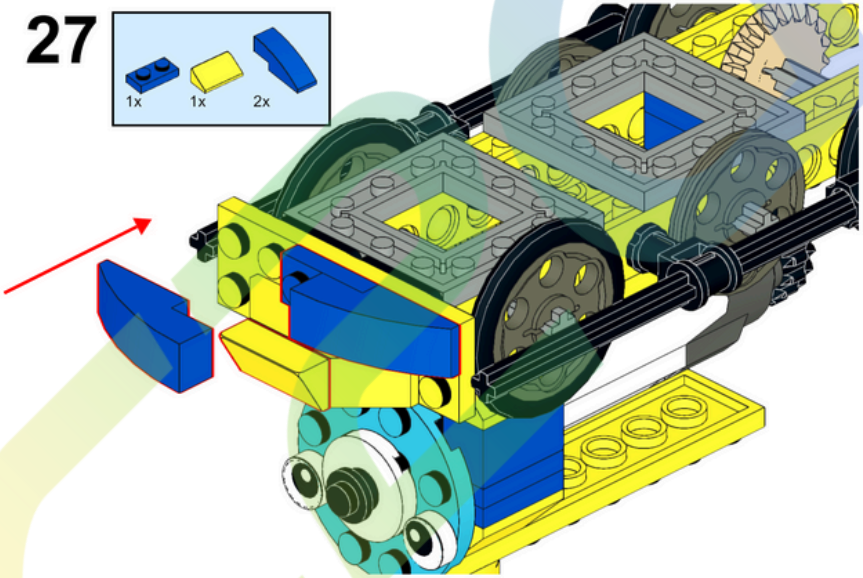
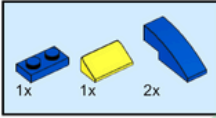
25



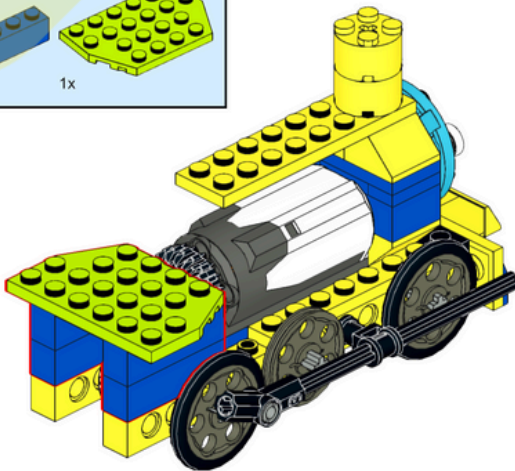
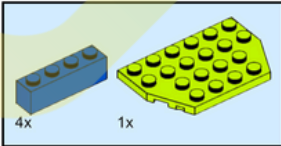
26



27



28



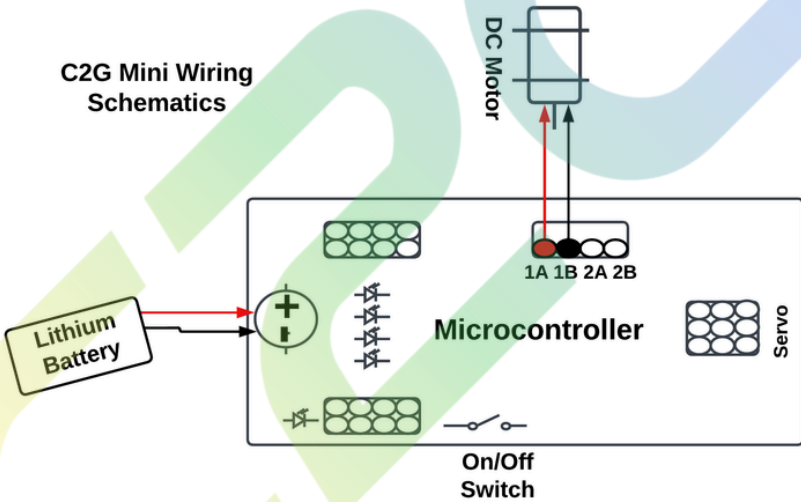




**Attach the C2G Mini  
Microcontroller**

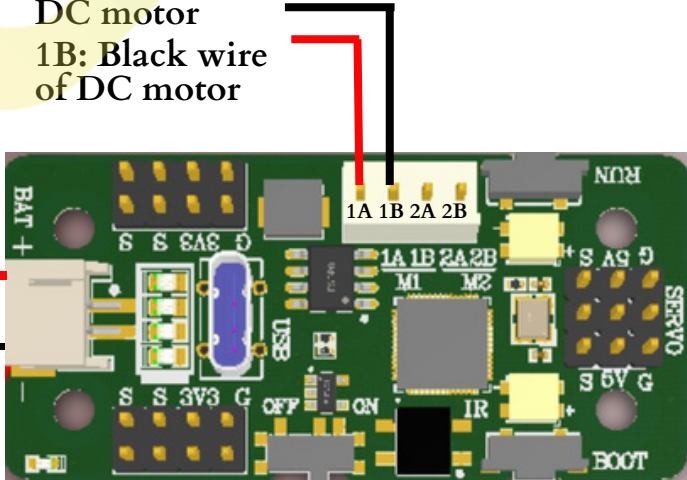
## How to wire the robot?

C2G Mini Wiring Schematics



1A: Red wire of DC motor  
1B: Black wire of DC motor

Lithium Battery Wiring



Congratulations on  
completing the  
Little Train build!

