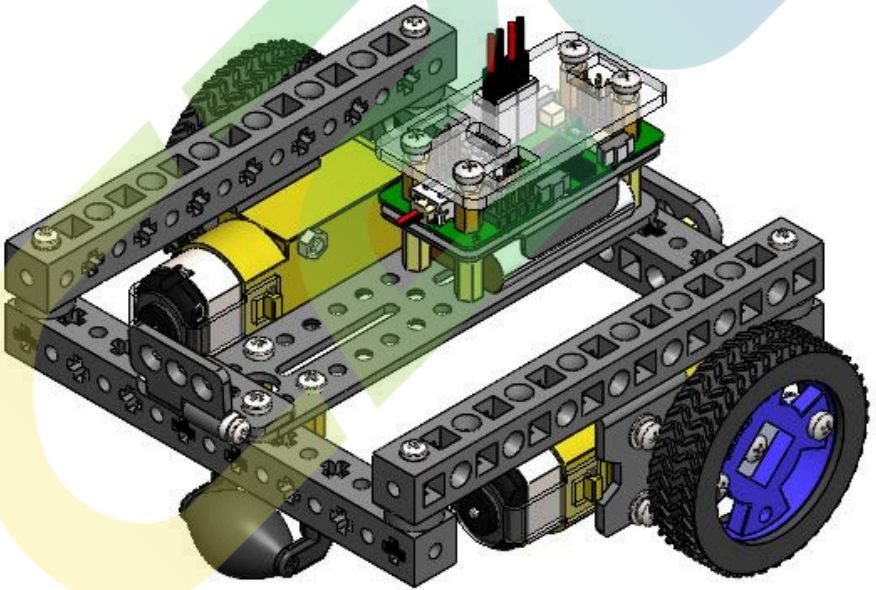


Student Instruction Manual

Bimo

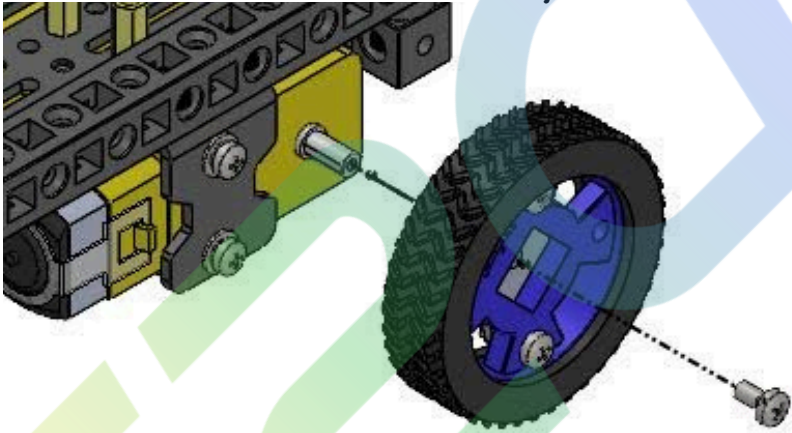


Check for all of Bimo's parts:

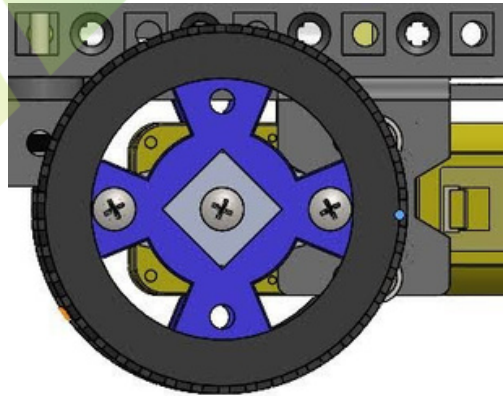


Step 1: Attaching the Tires

Attach the tire to the DC Motor with screw. This is located on the side of your build.

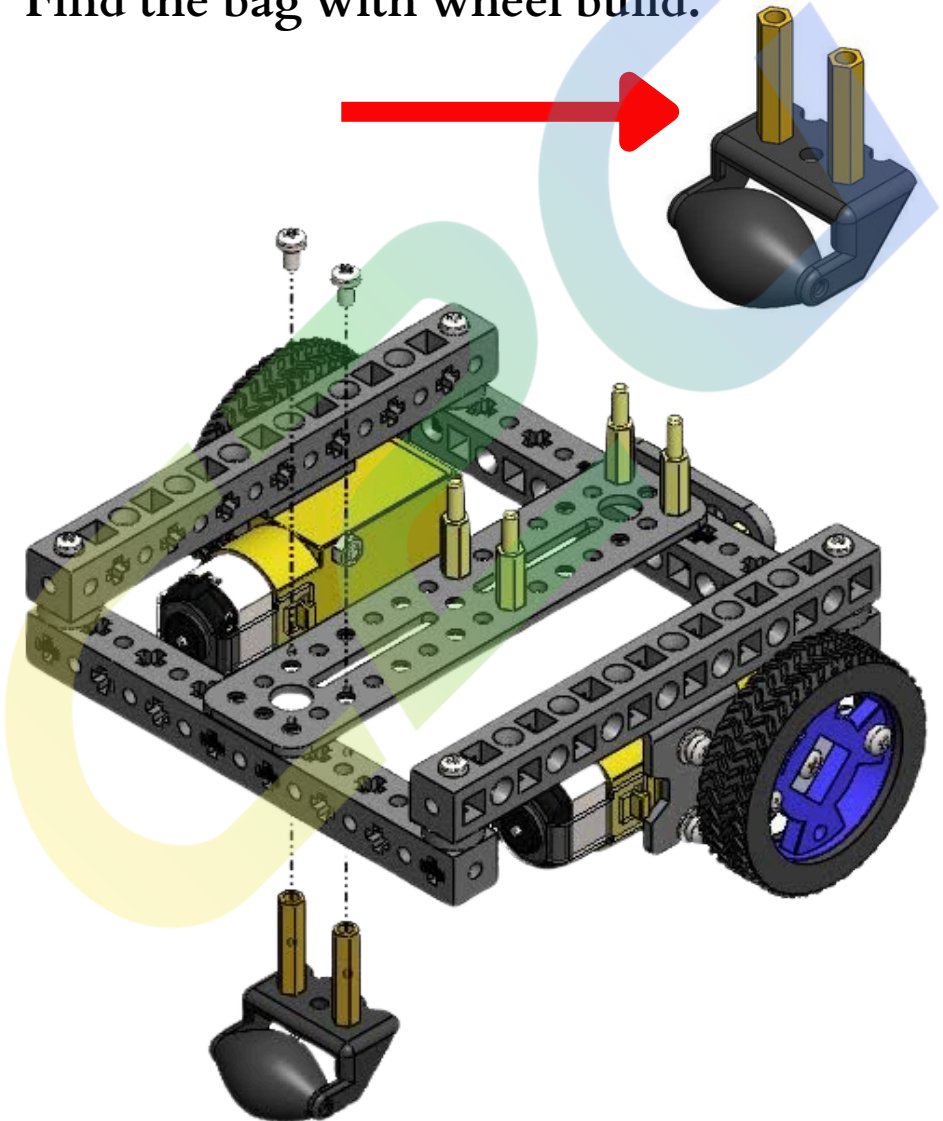


Your wheel should now be on tight.

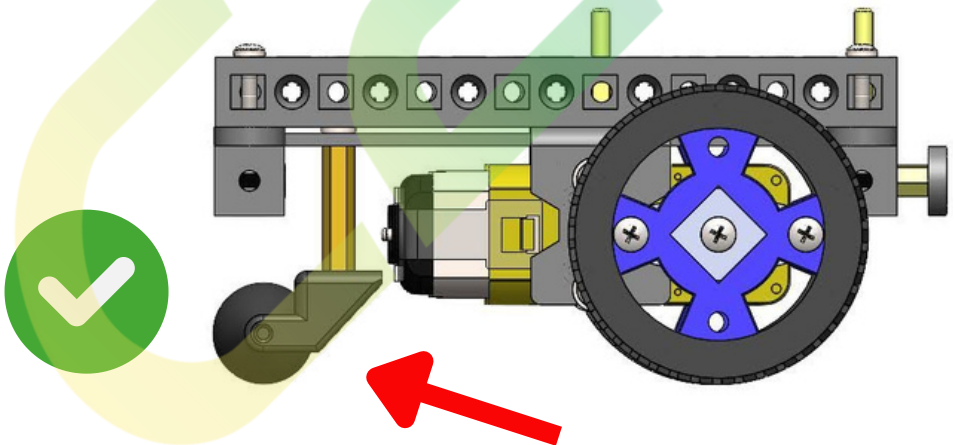
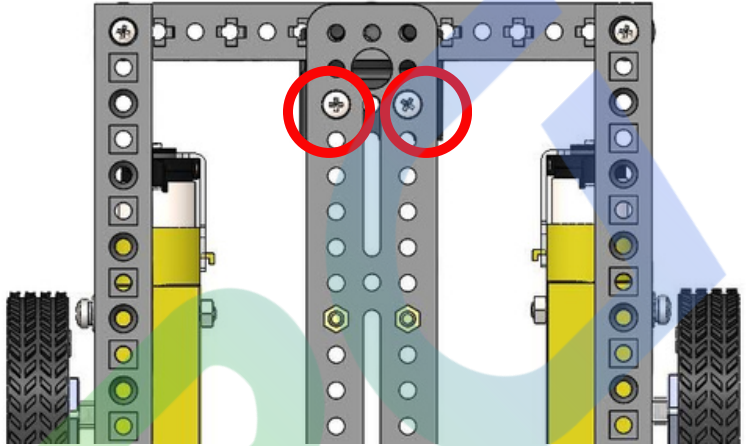


Step 2: Attaching the Universal Wheel

Find the bag with wheel build.



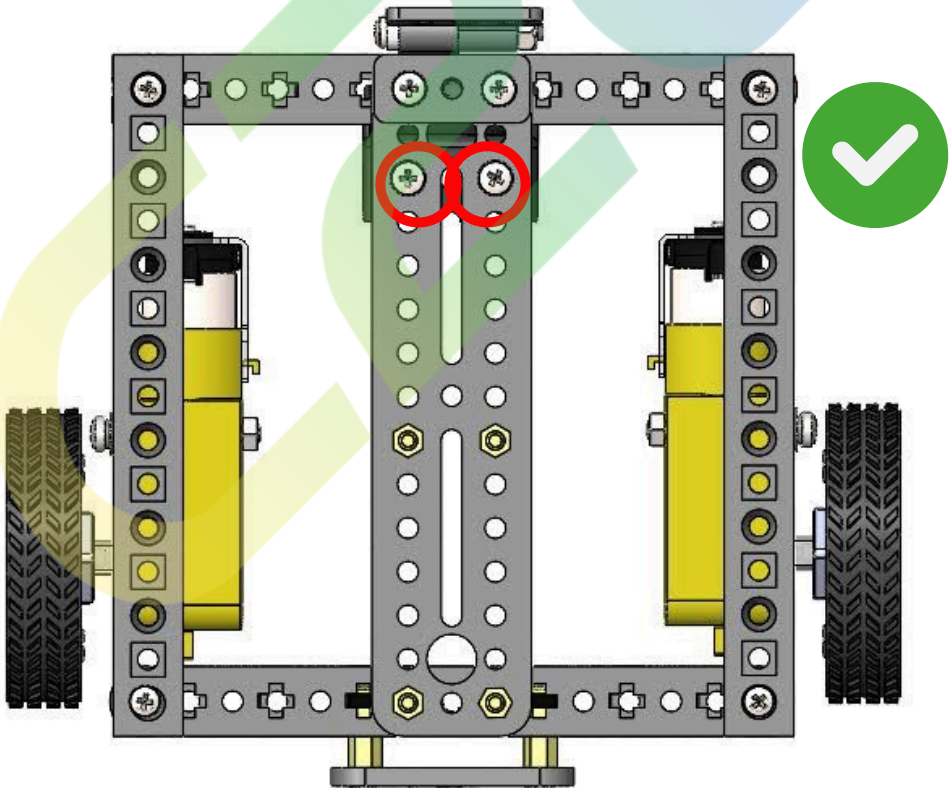
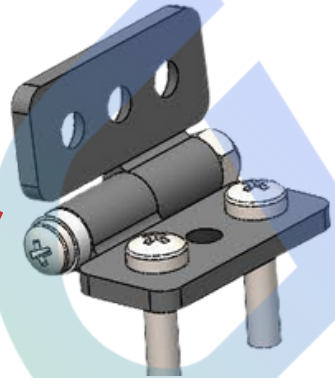
Put the screws through the hole that is located three holes from the top.



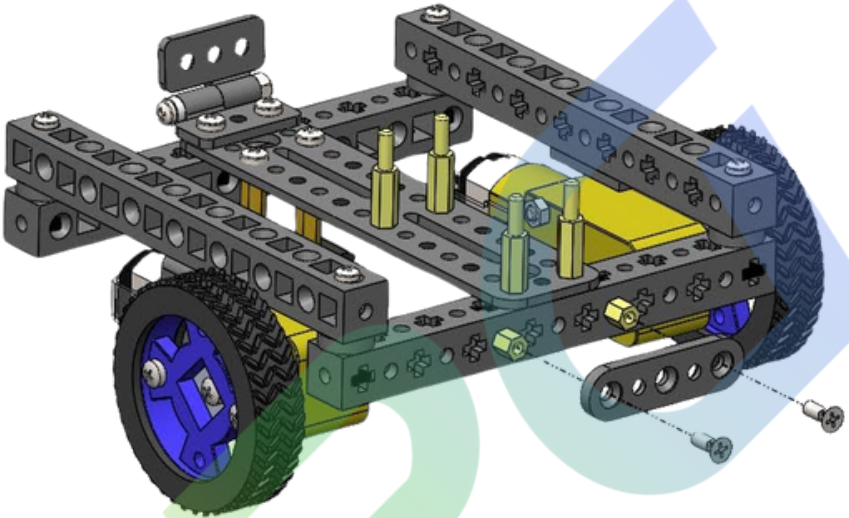
Attach the wheel to these screws with the wheel facing the front.

Step 3: Attaching the Front Hinge

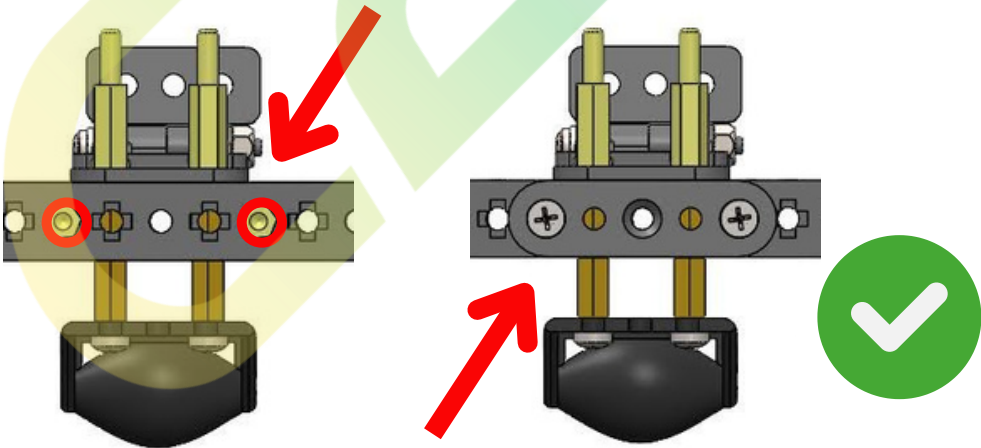
Place hinge on top of first holes and screw in.



Step 4: Attaching the Rear Bumper

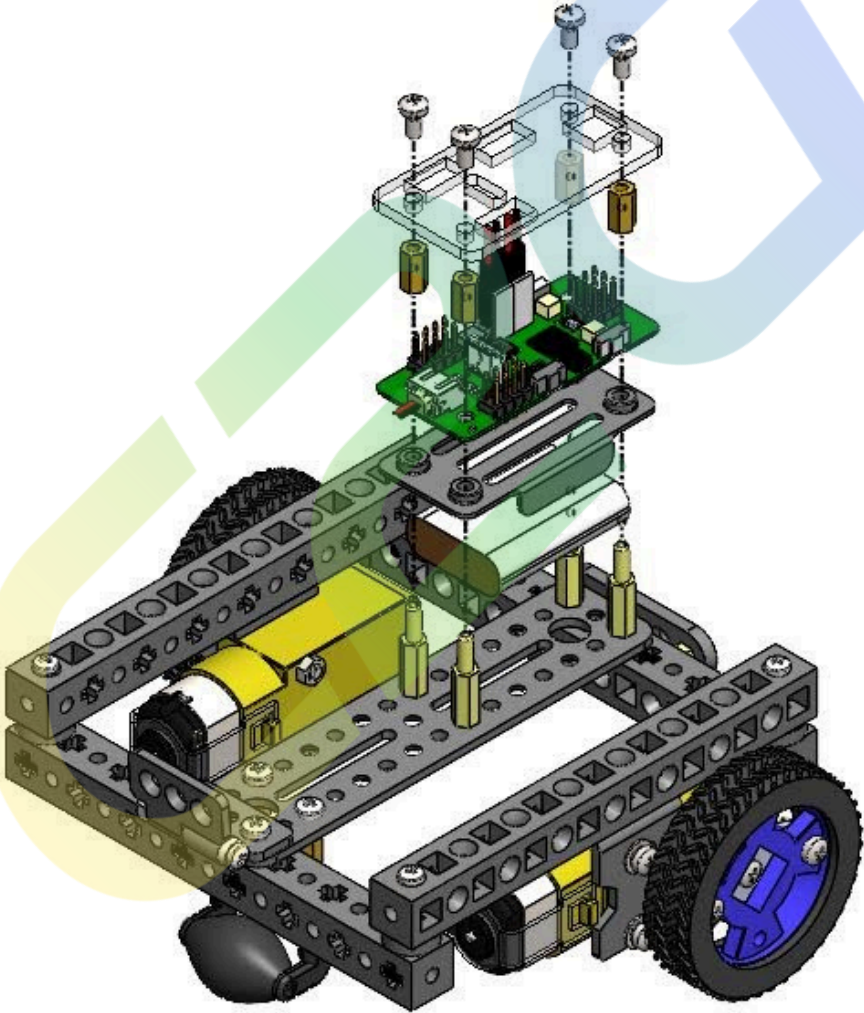


Twist the brass spacers on the back of build .

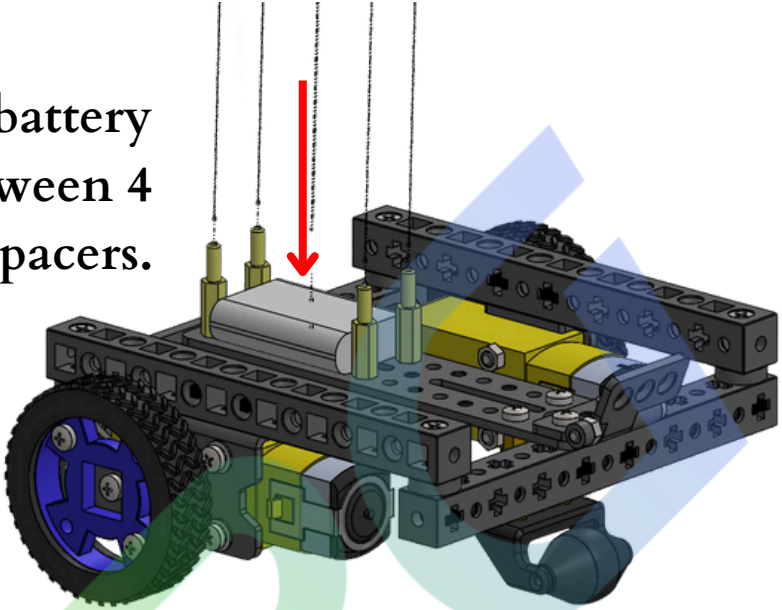


Then lay bumper on top of brass spacers and screw in, on first and third hole.

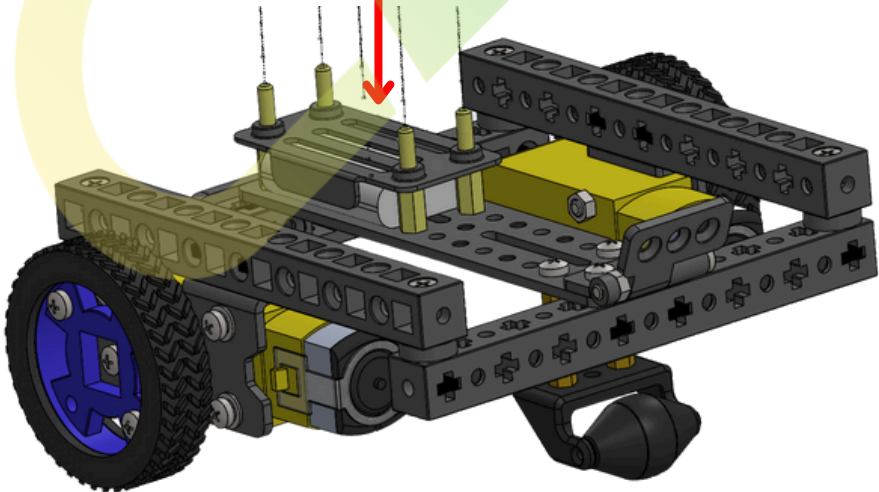
Step 5: Attaching C2G Mini Microcontroller



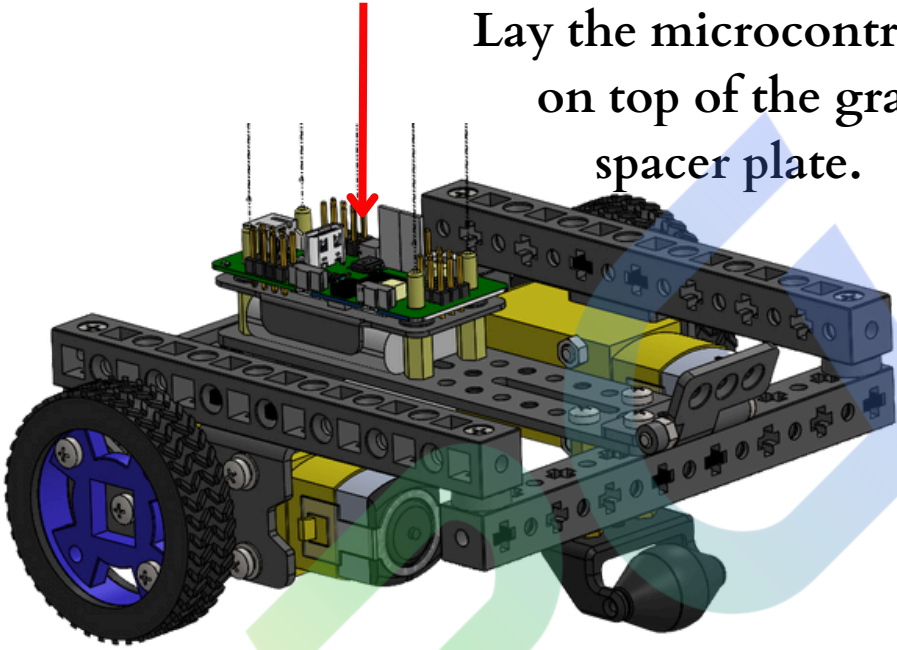
Place battery
in between 4
brass spacers.



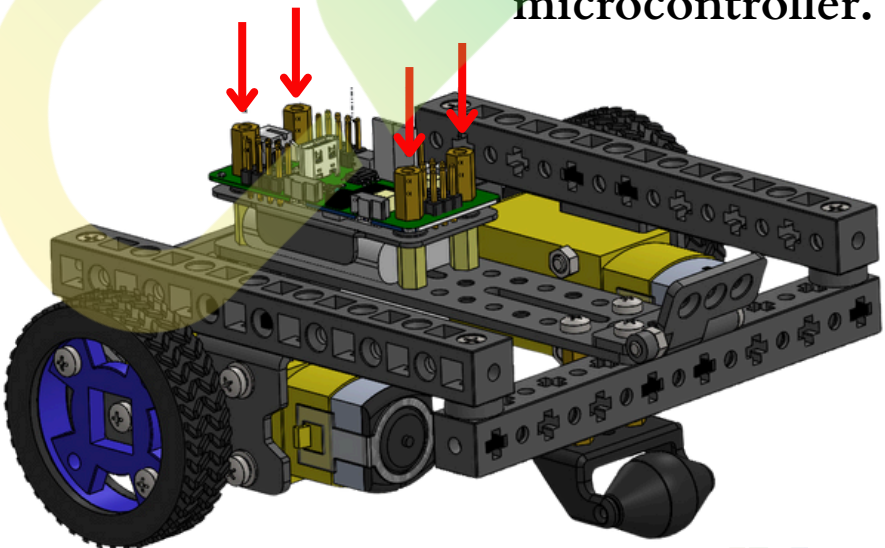
Place gray spacer plate
with the round circles
facing up.



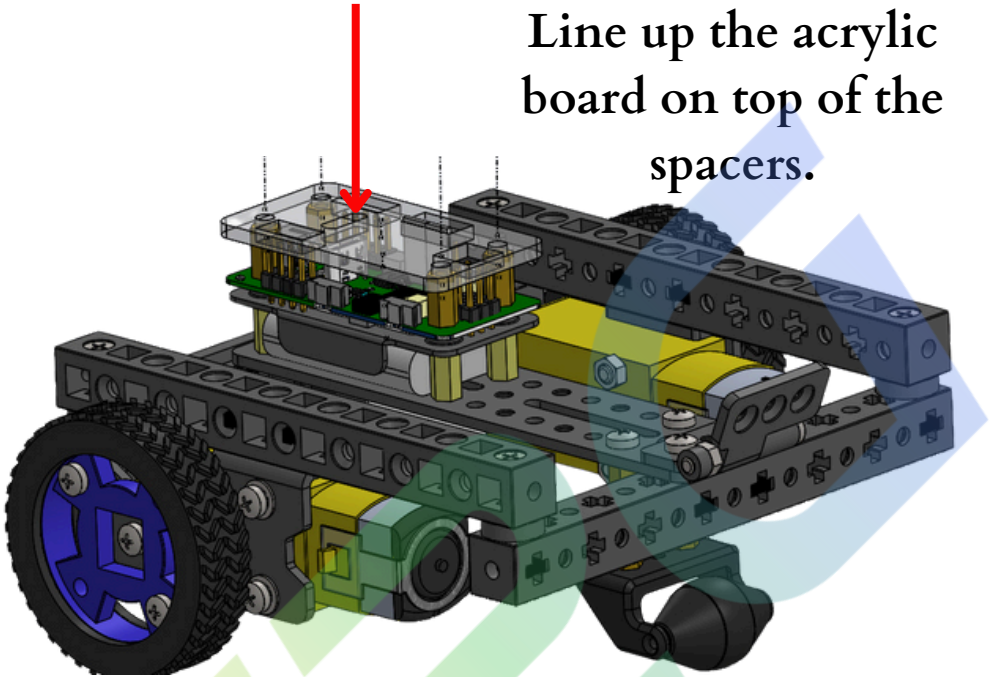
Lay the microcontroller on top of the gray spacer plate.



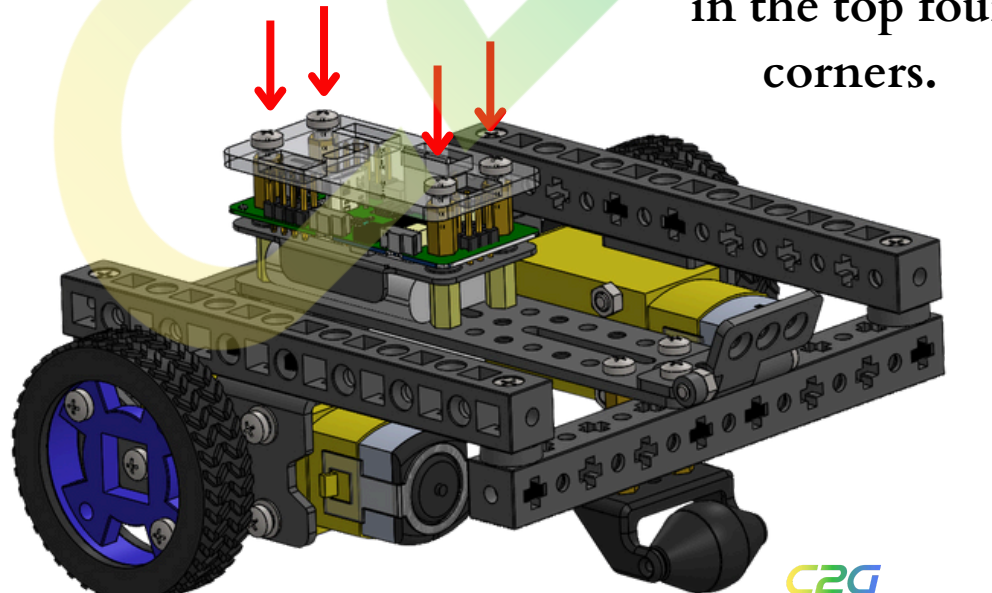
Place spacers on the 4 corners on top of microcontroller.



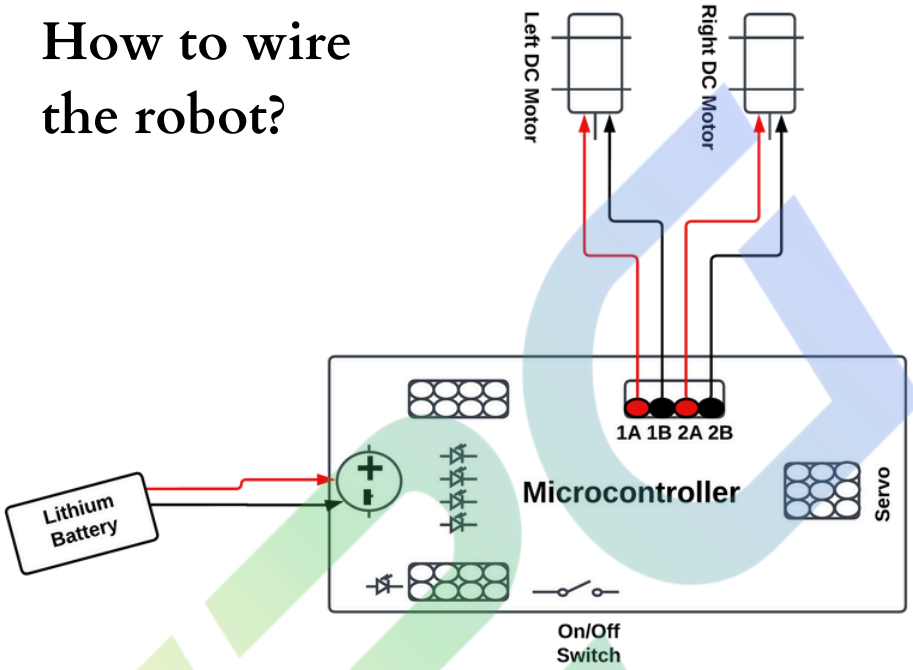
Line up the acrylic board on top of the spacers.



Finally, screw in the top four corners.



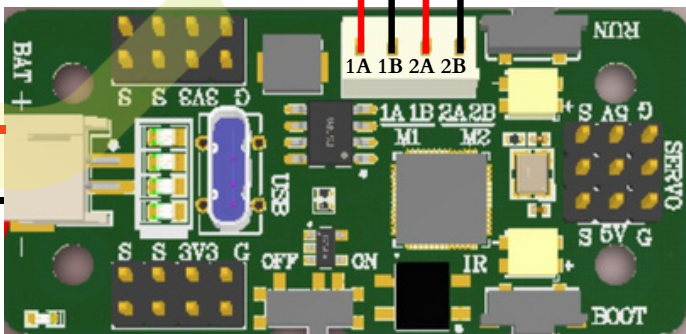
How to wire the robot?



1B: Black wire of left motor
1A: Red wire of left motor

2A: Red wire of right motor
2B: Black wire of right motor

Lithium Battery Wiring



Congratulations on
completing the
Bimo build.

