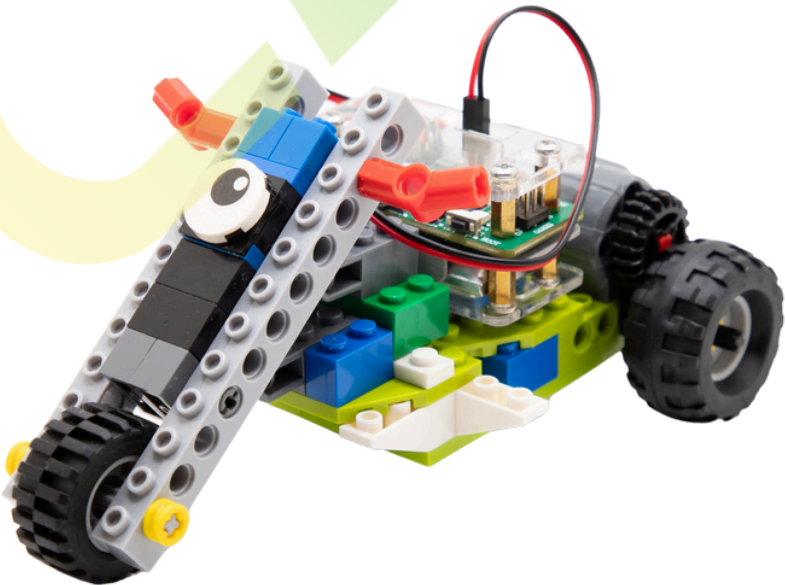




Student Instruction Manual

# Little Motorcycle





# All Parts Required

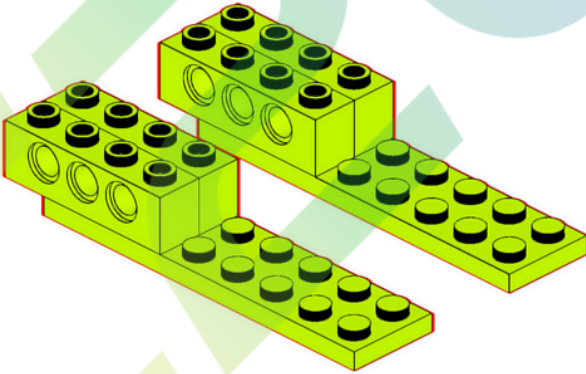
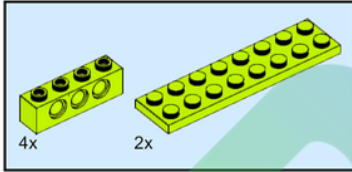
## Check for all Little Motorcycle parts:

- 1x 32270 Black
- 1x 44728 Black
- 1x 32269 Black
- 2x 57909 Black
- 1x 3020 White
- 1x 3666 White
- 1x 58120c01 White
- 1x 3708 Black
- 2x 2458 Dark Bluish Gray
- 2x 57910 Dark Bluish Gray
- 3x 55982 Light Bluish Gray
- 1x 32062 Red
- 2x 32192 Red
- 4x 4265c Yellow
- 4x 3701 Lime
- 3x 3034 Lime
- 3x 3001 Green
- 2x 3706 Light Bluish Gray
- 2x 3895 Light Bluish Gray
- 1x 4150pb148 White
- 4x 4287 White
- 2x 32059 Lime
- 2x 32064 Blue
- 1x 3023 Blue
- 6x 3004 Blue
- 2x 3022 Blue
- 1x 3003 Blue
- 1x 92402 Rubber Black
- 2x 56891 Rubber Black

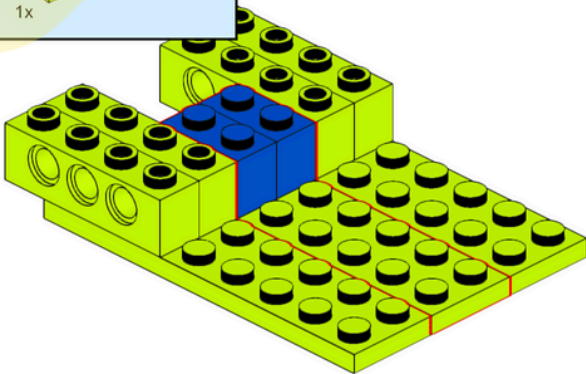
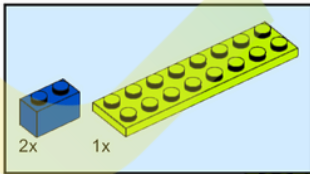


# Motorcycle Assembly

11



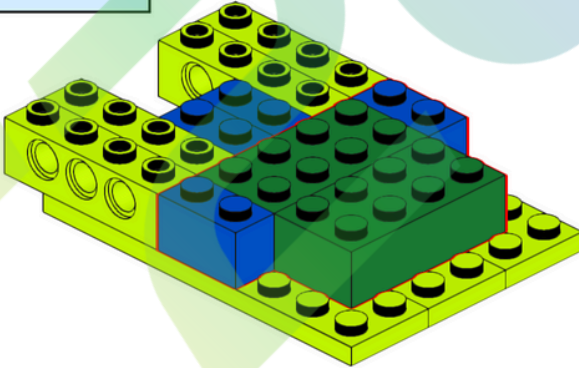
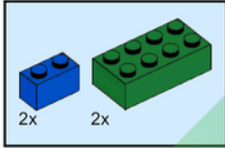
12



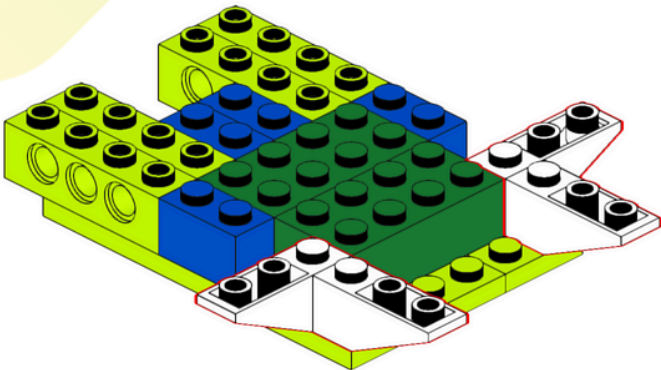
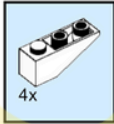


# Motorcycle Assembly

13



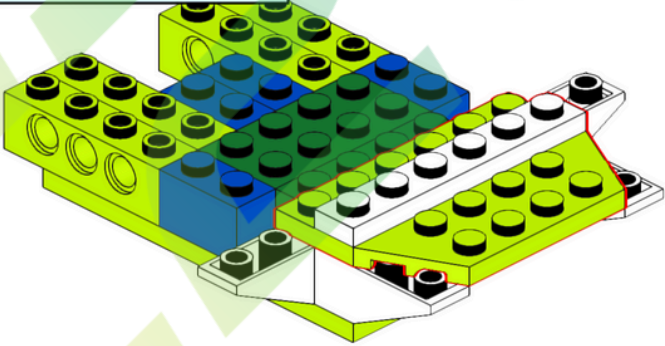
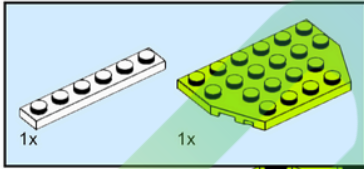
14



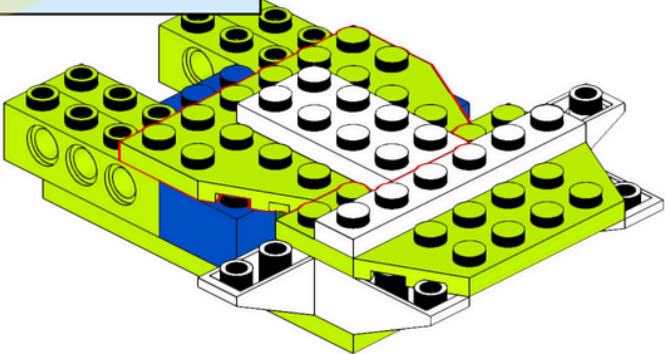
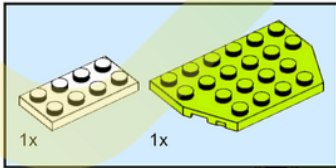


# Motorcycle Assembly

15



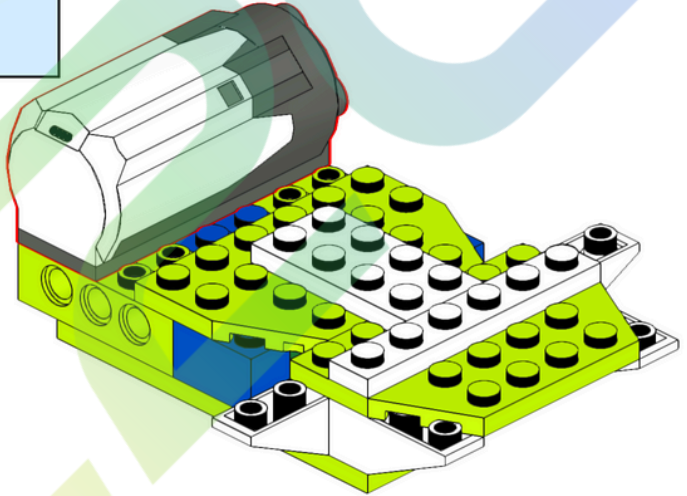
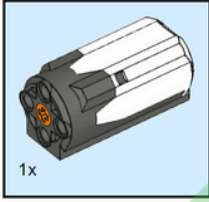
16



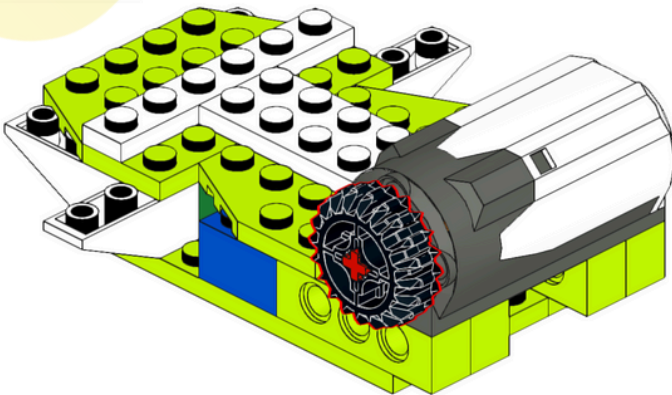
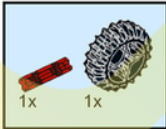


# Motorcycle Assembly

17



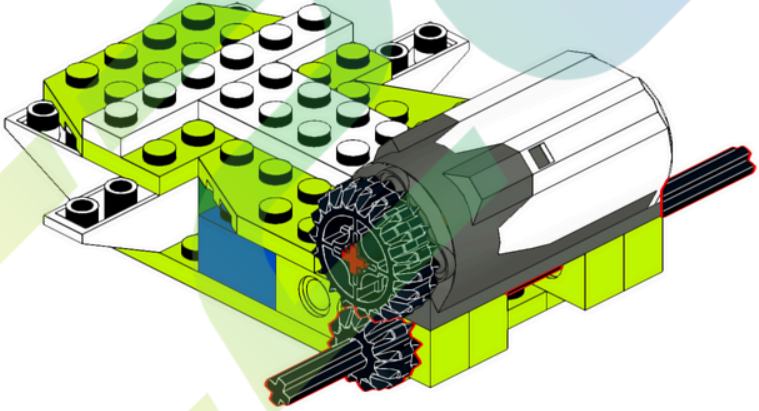
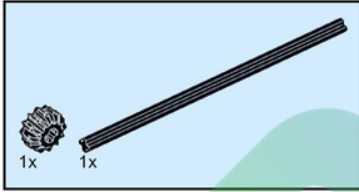
18



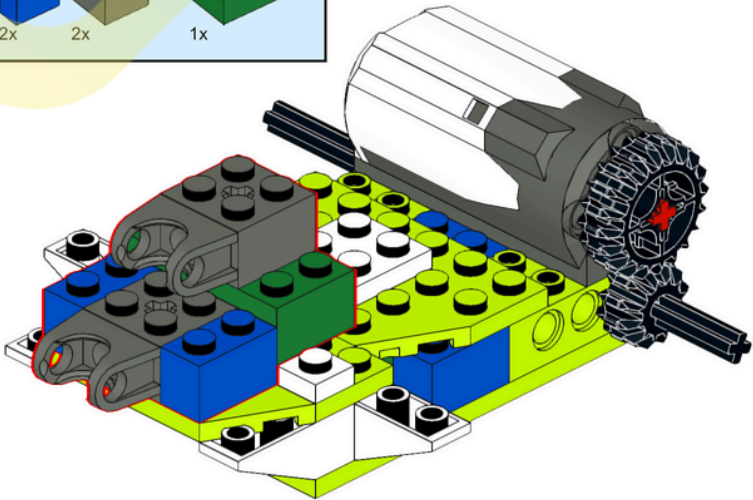
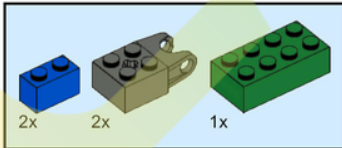


# Motorcycle Assembly

19



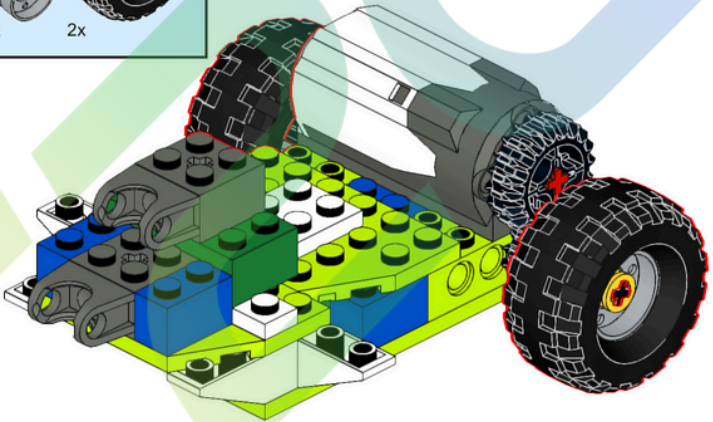
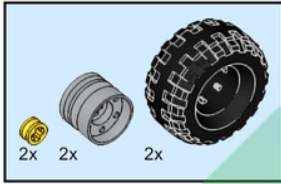
20



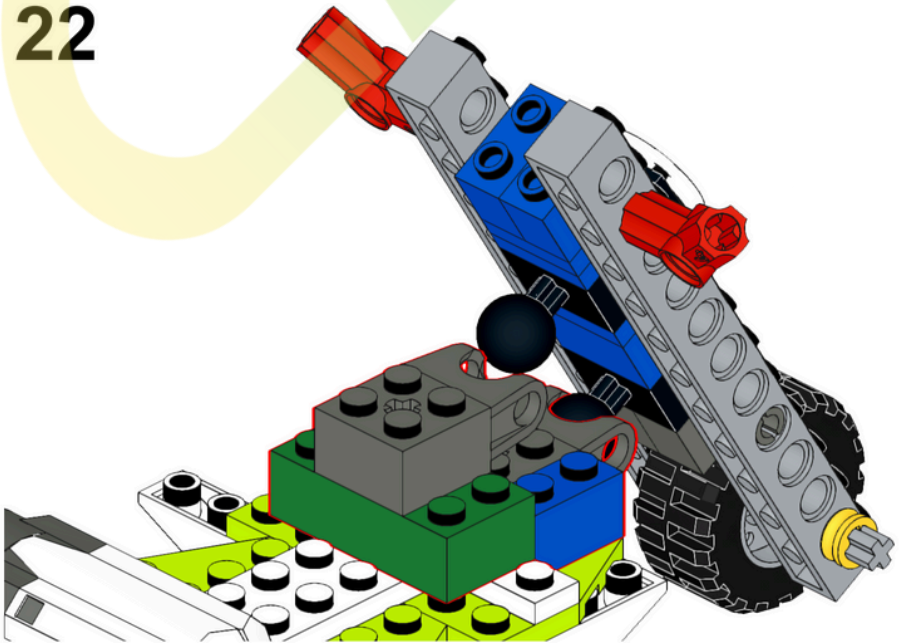


# Motorcycle Assembly

21



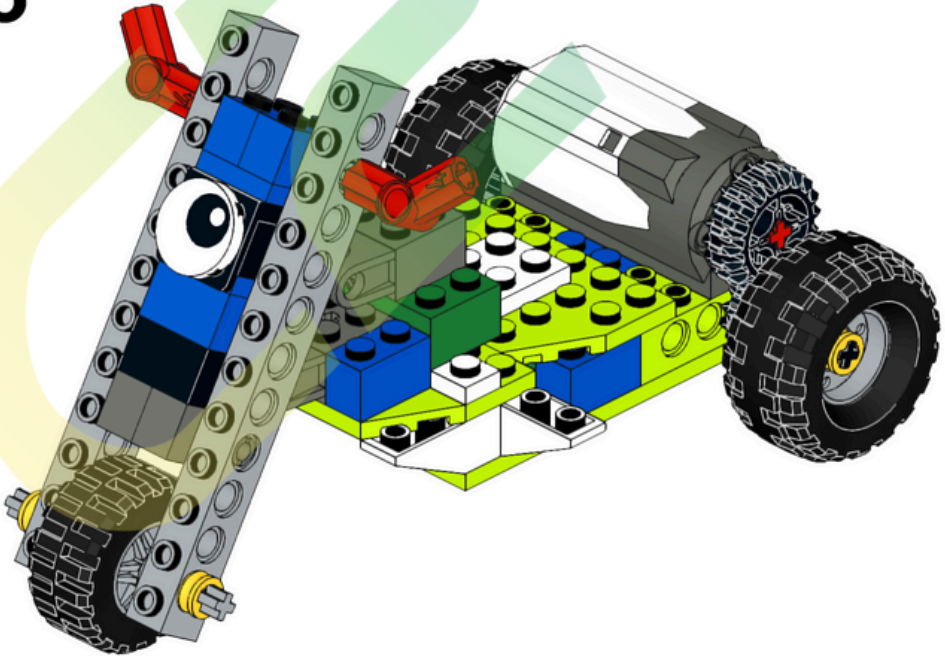
22







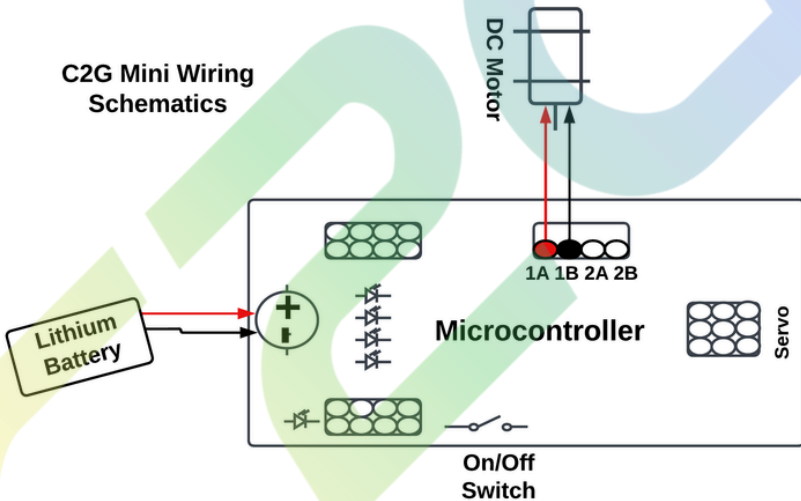
23





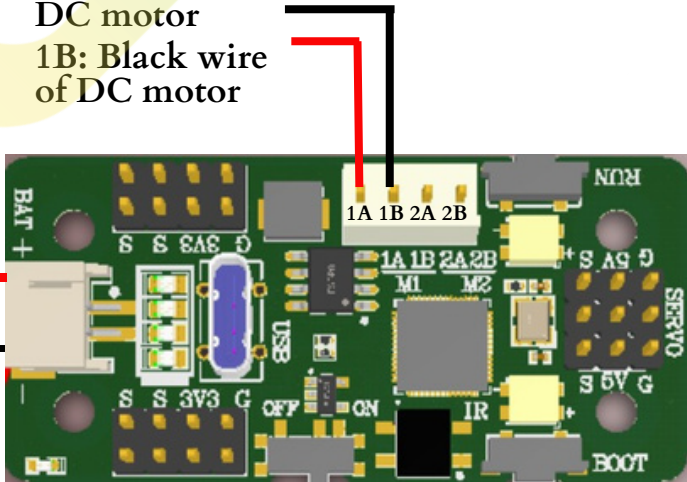
# How to wire the robot?

C2G Mini Wiring Schematics



1A: Red wire of DC motor  
1B: Black wire of DC motor

Lithium Battery Wiring





Congratulations on  
completing the  
Little Motorcycle build!

